

INSTALLATION INSTRUCTIONS --RV-117

ONAN GEN. AIR DEFLECTOR

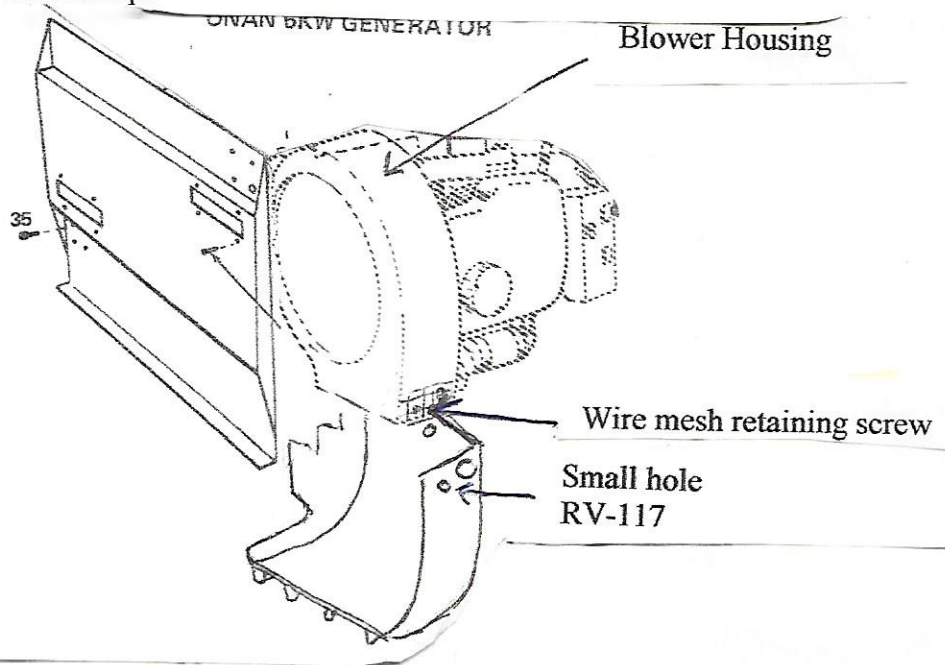
Tools needed, Phillips head and blade screwdriver, drill gun & 3/16" drill.

Step: #1 Slide out Generator

#2 Locate Wire Mesh covered opening in Blower Housing under front right corner.

#3 Unscrew Wire Mesh retaining screw and fasten RV-117 Scoop tight to outside corner of sheet metal Housing using the small hole provided in side of Scoop.

#4 Drill 3/16 hole in the sheet metal Housing through backside of scoop. Install sheet metal screw provided with Scoop.



INSTALLATION INSTRUCTIONS --RV-117

ONAN GEN. AIR DEFLECTOR

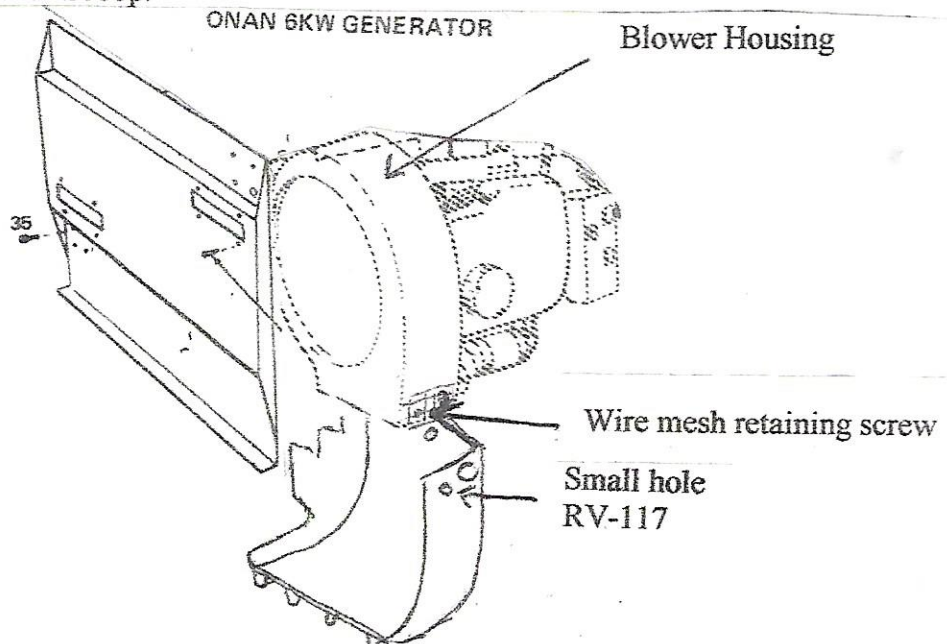
Tools needed, Phillips head and blade screwdriver, drill gun & 3/16" drill.

Step: #1 Slide out Generator

#2 Locate Wire Mesh covered opening in Blower Housing under front right corner.

#3 Unscrew Wire Mesh retaining screw and fasten RV-117 Scoop tight to outside corner of sheet metal Housing using the small hole provided in side of Scoop.

#4 Drill 3/16 hole in the sheet metal Housing through backside of scoop. Install sheet metal screw provided with Scoop.



INSTALLATION INSTRUCTIONS --RV-117

ONAN GEN. AIR DEFLECTOR

Tools needed, Phillips head and blade screwdriver, drill gun & 3/16" drill.

Step: #1 Slide out Generator

#2 Locate Wire Mesh covered opening in Blower Housing under front right corner.

#3 Unscrew Wire Mesh retaining screw and fasten RV-117 Scoop tight to outside corner of sheet metal Housing using the small hole provided in side of Scoop.

#4 Drill 3/16 hole in the sheet metal Housing through backside of scoop. Install sheet metal screw provided with Scoop.

