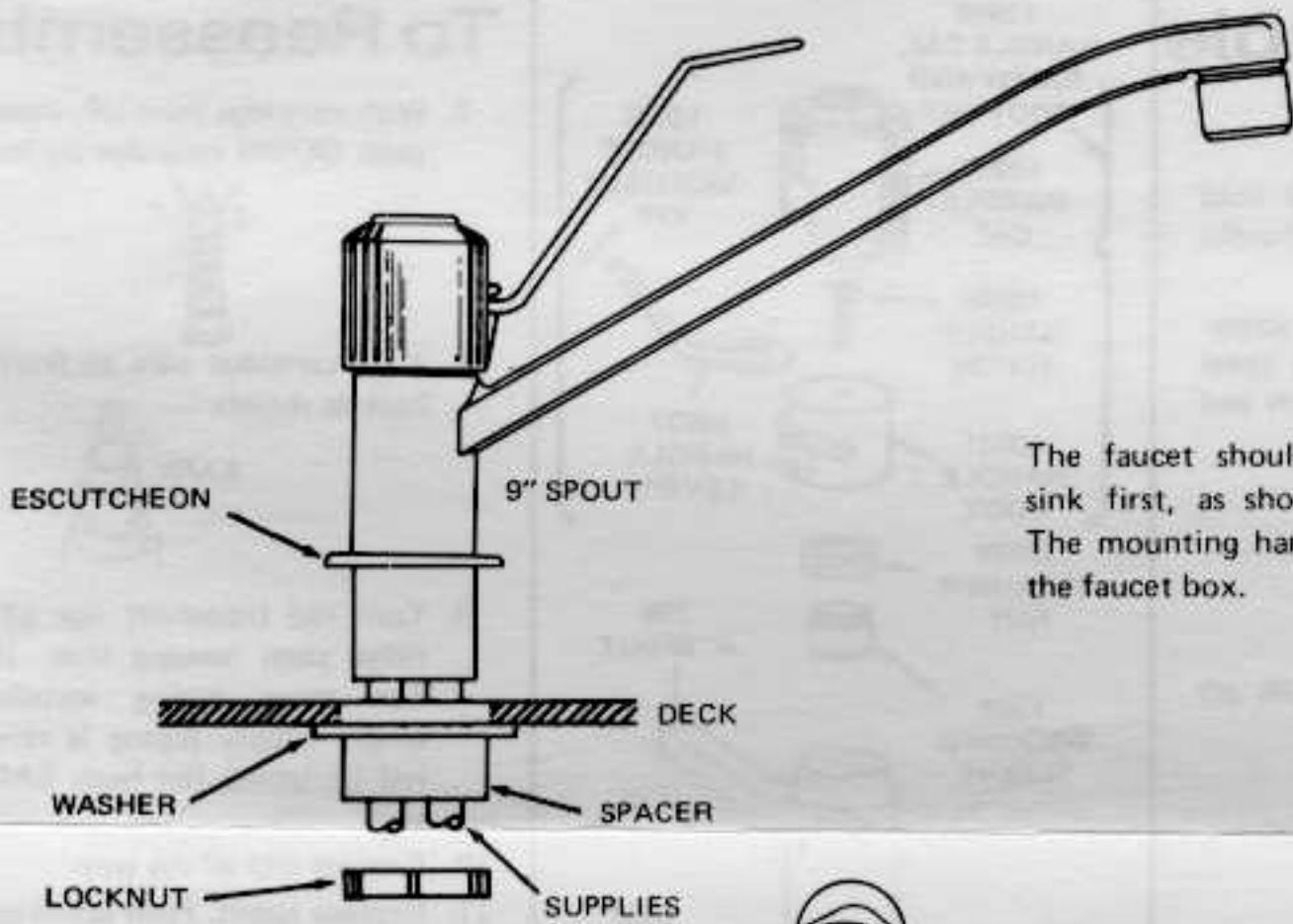


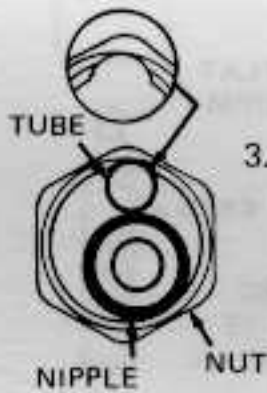


# Faucet Installation Instructions



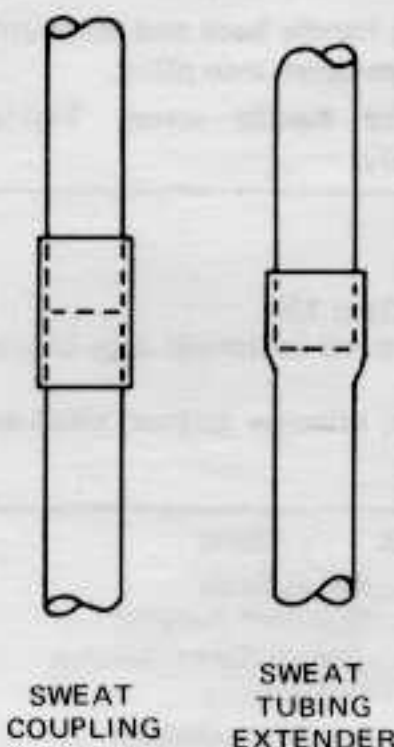
The faucet should be mounted on the sink first, as shown in the illustration. The mounting hardware can be found in the faucet box.

1. Assemble the chrome plated escutcheon ring on the faucet below the spout.
2. Insert faucet tailpieces and body through the mounting hole. Match the flats on the faucet body to the flats on the sink hole.

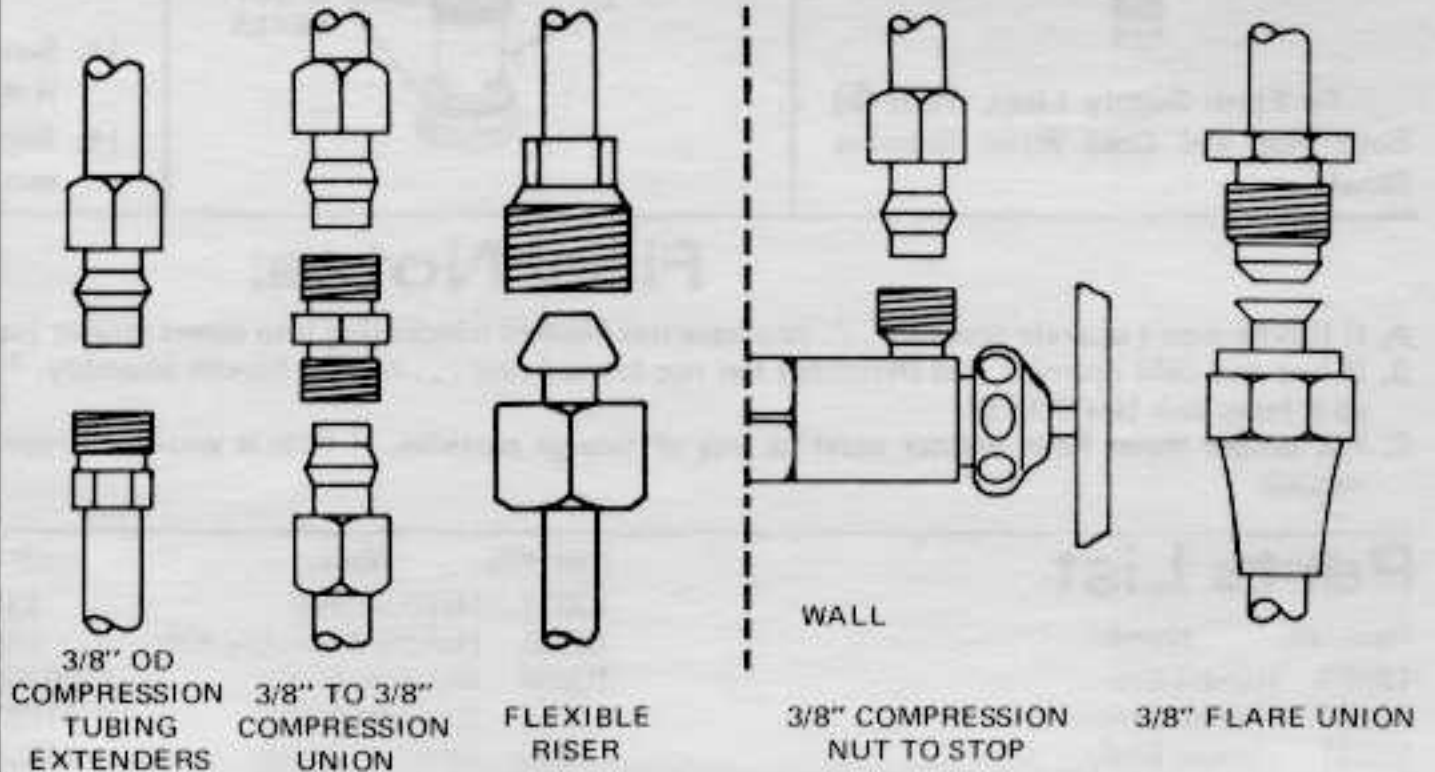


3. Fasten the faucet to the sink using the mounting nut, washer and spacer. On models that have the IPS connection nipples, place the supply tube in the notch in the threads of the nut as shown.

## Sweat:



## Mechanical:



NOTE: We suggest that the 3/8 inch sweat supplies be assembled and soldered before installing the faucet.

Zeigler-Harris Corporation – A Subsidiary of **Atanadyne**

INSTALLATION AND WARRANTY CARD. DETACH AT PERFORATIONS.



There's only one Moen cartridge. It fits all Moen models. Moen faucets don't need attention for years. If they do, all you have to do is replace the cartridge. It takes just a few minutes to pop in a new one. It's usually the only part needed for repairs. Order it from your plumber.

**MOEN** A Division of  
**Atanadyne**

377 Woodland Avenue  
Elyria, Ohio 44035



# To Flush The Faucet:

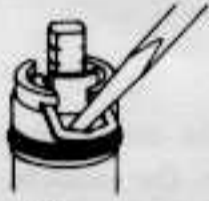
Faucet body and supplies should be flushed under pressure to remove pipe chips or other foreign material that might clog the faucet when in service. To do this, make sure the water supplies are "OFF". Follow the detailed instructions below and disassemble the faucet. Turn on both hot and cold water supplies slowly and thoroughly flush the installation. Re-assemble faucet as shown in the instructions.

## To Disassemble The Faucet

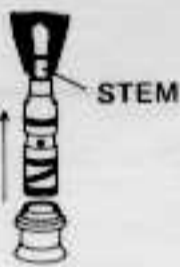
1. Turn "Off" both hot and cold water supplies and remove handle screw.
2. Pull handle down. Place screwdriver in screw hole and press down on cartridge stem. Lift and tilt handle housing off.



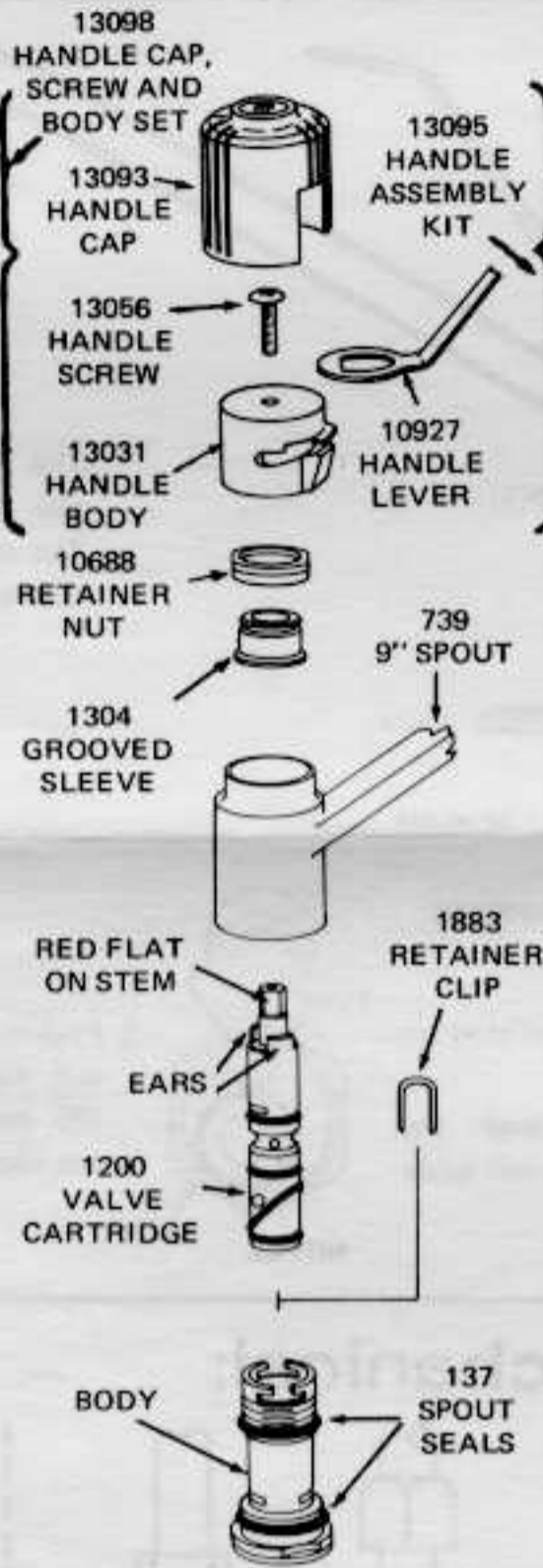
3. Remove retainer nut and lift off grooved sleeve.
4. Lift and twist spout off.
5. Pry out retainer clip with screwdriver.



6. Grasp cartridge stem with pliers. Lift cartridge out.



To Flush Supply Lines, Turn On Both Hot and Cold Water Supplies Slowly.



## To Reassemble

7. With cartridge stem UP, insert and push DOWN cartridge by its ears.



8. Turn cartridge ears to front and back as shown.



9. Turn red (notched) flat of cartridge stem toward sink. (Note: For cross piping installations where supply piping is reversed, red (notched) flat faces BACK of sink.

10. Replace clip all the way.
11. Replace spout. Push down until it nearly touches the faucet escutcheon.
12. Place grooved sleeve on top of body and screw on retainer nut. Do Not Cross Thread. Tighten snug.
13. Press cartridge stem down. Holding handle UP, hook ring in handle housing into groove on sleeve.



14. Swing handle back and forth until it drops down into place.
15. Replace handle screw. Tighten securely.

## Final Notes:

- A. If handle won't operate properly . . . you have not hooked handle ring into sleeve groove (see Step 13).
- B. If hot and cold reversed, red (notched) flat not toward sink . . . remove handle assembly. Turn red (notched) edge of stem so it faces sink (see Step 9).
- C. For proper water flow, aerator must be free of foreign particles. If flow is weak or irregular, unscrew aerator, clean and replace.

## Parts List

Item No.	Name	Item No.	Name
13093	Handle Cap	10927	Handle Lever
13056	Handle Screw	13095	Handle Assembly Kit
13031	Handle Body	10688	Retainer Nut
13098	Handle Cap, Screw and Body Set. Consists of 13093, 13056, and 13031.	1304	Grooved Sleeve
		739	Spout - 9 inch
		1883	Retainer Clip
		1200	Valve Cartridge
		137	Spout Seals
		465	Standard Aerator
		20200	Swivel Spray Aerator
		11887	Escutcheon
		11888	Hardware Package (WF 0, 1, 2, 3, 6, 7)
		11893	Hardware Package (WF 4, 5)

Zeigler-Harris Corporation - A Subsidiary of Stanadyne

MF-310-3-75 P. O. Box 98, Pine Grove, Penn. 17963 11341 San Fernando Rd., San Fernando, Cal. 91341 PRINTED IN U.S.A.

# MOEN FAUCET INSTALLATION REPORT

PLEASE CHECK (✓) APPROPRIATE BOXES AND RETURN WITHIN TEN DAYS

MOEN MF-310

INSTALLED IN:  HOUSE  APARTMENT BUILDING  MOBILE HOME  MOTEL HOTEL  OTHER (SPECIFY)

FOR USE IN:  KITCHEN SINK  LAVATORY BOWL  TUB & SHOWER  SHOWER ONLY  TUB ONLY  OTHER (SPECIFY)

TYPE OF PROJECT:  NEW CONSTRUCTION  ADDITION, MODERNIZATION  REPLACEMENT FAUCET ONLY  OTHER (SPECIFY)

AGE OF BUILDING:  BRAND NEW  UNDER 5 YRS.  5 TO 9 YEARS  10 TO 19 YEARS  20 YEARS AND OVER  DON'T KNOW

HAVE YOU USED MOEN BEFORE?  YES  NO WHO SUGGESTED MOEN FOR THIS PROJECT?

REMARKS:

Name of builder (if known) \_\_\_\_\_ City \_\_\_\_\_

Name of plumber (if known) \_\_\_\_\_ City \_\_\_\_\_

My name \_\_\_\_\_ Packer's No. \_\_\_\_\_

My address \_\_\_\_\_

City \_\_\_\_\_ State \_\_\_\_\_

## Moen Limited Warranty

Your Moen product has been manufactured under the highest standards of quality and workmanship and we warrant all factory made parts and assemblies against defects of material and workmanship for one (1) year from date of installation. Any defective or malfunctioning assembly or part will in our discretion be either repaired or replaced. We cannot assume responsibility for any defect or malfunction attributable to improper installation whether performed by a plumbing contractor, service company or yourself.

Please detach and return the installation and warranty card attached hereto. Any complaints or claims under this warranty should be addressed promptly to:

MOEN, A Division of STANADYNE  
PRODUCT SERVICE DEPARTMENT  
377 WOODLAND AVENUE  
ELYRIA, OHIO 44035

TEAR AT PERFORATIONS

1782