

**Magnetic Liquid-Level Gauges**

**Application**

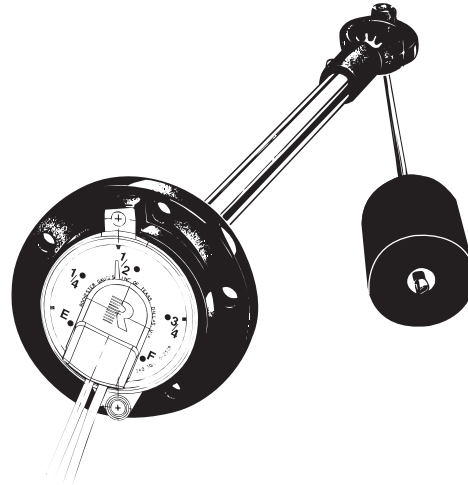
The 8700 series gauges are used to measure water levels in all types of low-pressure, non-heated systems. Ideal for boats, recreational vehicles, campers, etc. NOTE: For hot or pressurized water service, see 8400 Series.

**General Information & Features**

The magnetic construction permits the complete sealing off of the inside liquid from the outside gauge head and dial allowing quick dial replacement without the loss of liquid or time.

The dial pointer is silicone-dampened. All dials, senders, and switches are instantly replaceable — there are just two screws to remove and replace.

The rugged gear drive is standard with shrouded, stainless steel, beveled gears designed to shed and work out any loose particles that might jam the gear action. From dial to head, body to float — all materials have been selected to provide outstanding durability in water-gauging applications.



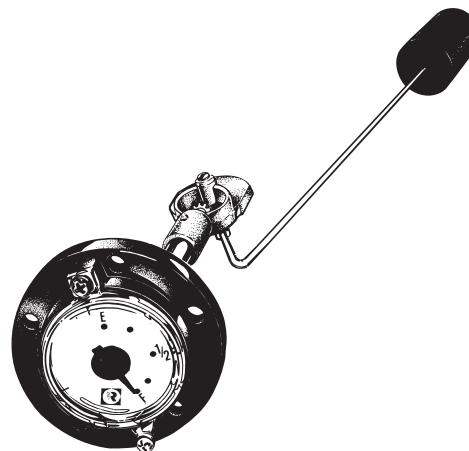
Model #	Magnet	Available Dials
8741	Large Alnico	Direct-reading dial or TwinSite™ sender. Choice of 0-30, 0-90, 240-30, 70-10 ohms.
8781	Small Alnico	Direct-reading dial only.

**Adjustable Liquid-Level Gauges**

**General Information & Features**

These water gauges are designed for top mounting only. They are equipped with float arms which are to be cut off to the proper length for the tank into which they will be installed. Data sheet DS-337 furnishes the proper cut lengths and instructions on how to install the float and crimp it in place.

This gauge has a 5-bolt SAE pattern flange which is attached to the tank with five #10 screws through a Buna-N gasket, #0015-00423.



Model #	Float Length	Available
8741-00008	20.5" [520]	5323S01834 direct-read P5744S02541 Twinsite™ sender, 240-30 ohms.
8741-00020	26.0" [660]	

*See reverse side for dimensional data, materials of construction, performance, and advice on how to order.*

*T h e M e a s u r e o f E x c e l l e n c e*

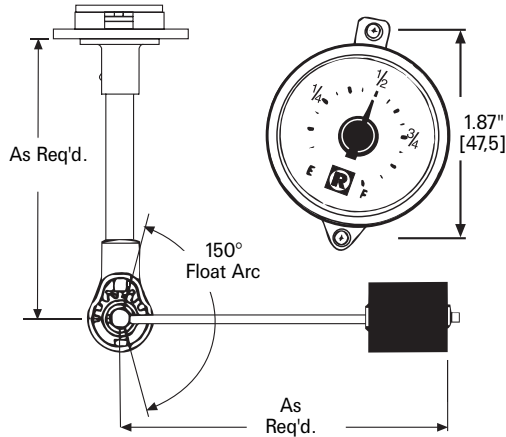
## 8700 Series

[METRIC]

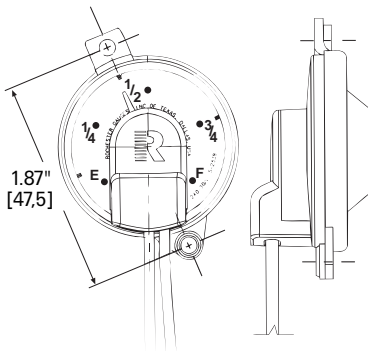
# Magnetic & Adjustable Liquid-Level Gauges

## Magnetic Liquid-Level Gauges

Standard direct-reading gauge with 5323S01792 dial



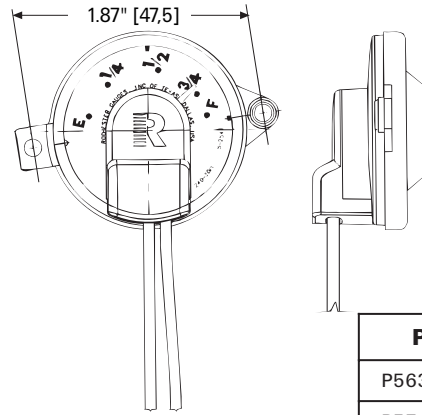
P5632S02539 TwinSite™ Dial, 240-30 ohms



Part #	Description
P5632S02536	Wire Leads
P5712S02539	.250 Male Tab
PS742S02539	Marine Plug

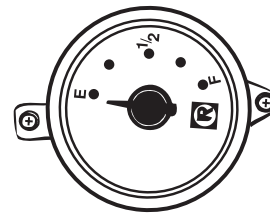
## Adjustable Liquid-Level Gauges

P5636S02541 TwinSite™ Dial, 240-30 ohms



Part #	Description
P5636S02541	Wire Leads
P5744S02541	.250 Male Tab
P5745S02541	Marine Plug

Direct reading gauge with 5323S01834 dial



## General Specifications \*

### Mounting

Recommended for top mounting only

### Accuracy

Depends on proper sizing of gauge and tank configuration. Normally  $\pm 5\%$  on direct reading and  $\pm 7\%$  on TwinSite™ dial.

### Temperature Range

Standard range is  $-40^{\circ}\text{F}$  to  $158^{\circ}\text{F}$ ,  $-40\text{C}$  to  $70\text{C}$

### Shock & Vibration

Suitable for mobile applications

### Vibration

Suitable for mobile applications

### Current

200 mA maximum on TwinSite™ versions

### System Voltage

1-24 volts on TwinSite™ version

### Tank Pressure

0-10 psig [0 to 0, 68 Bar]

### Approvals

UL recognized for marine water service

\* Specifications subject to change without notice.  
Ratings subject to change due to temperature and other environmental considerations.

## Materials of Construction

### Head

Lightweight injection molded polyester SAE gasoline gauge flange ( $2 \frac{1}{8}$ " [54] bolt circle for five #10 screws, screws not furnished)

### Centershaft, Support, & Float Rod

Brass

### Gears, Cross Stud, & Bearings

Stainless steel

### Drive Magnet

Nickel-plated alnico

### Gear Housing

Acetal

### Float

Nitrile rubber

### Gasket

Buna-N, UL recognized material

### Direct Reading Dial

Hermetically sealed polycarbonate

### TwinSite™ Dial

Hermetically sealed nylon

### Dial Screws

Plastite 0040-00479

## When ordering, specify:

1. Gauge model number
2. Choice of dials