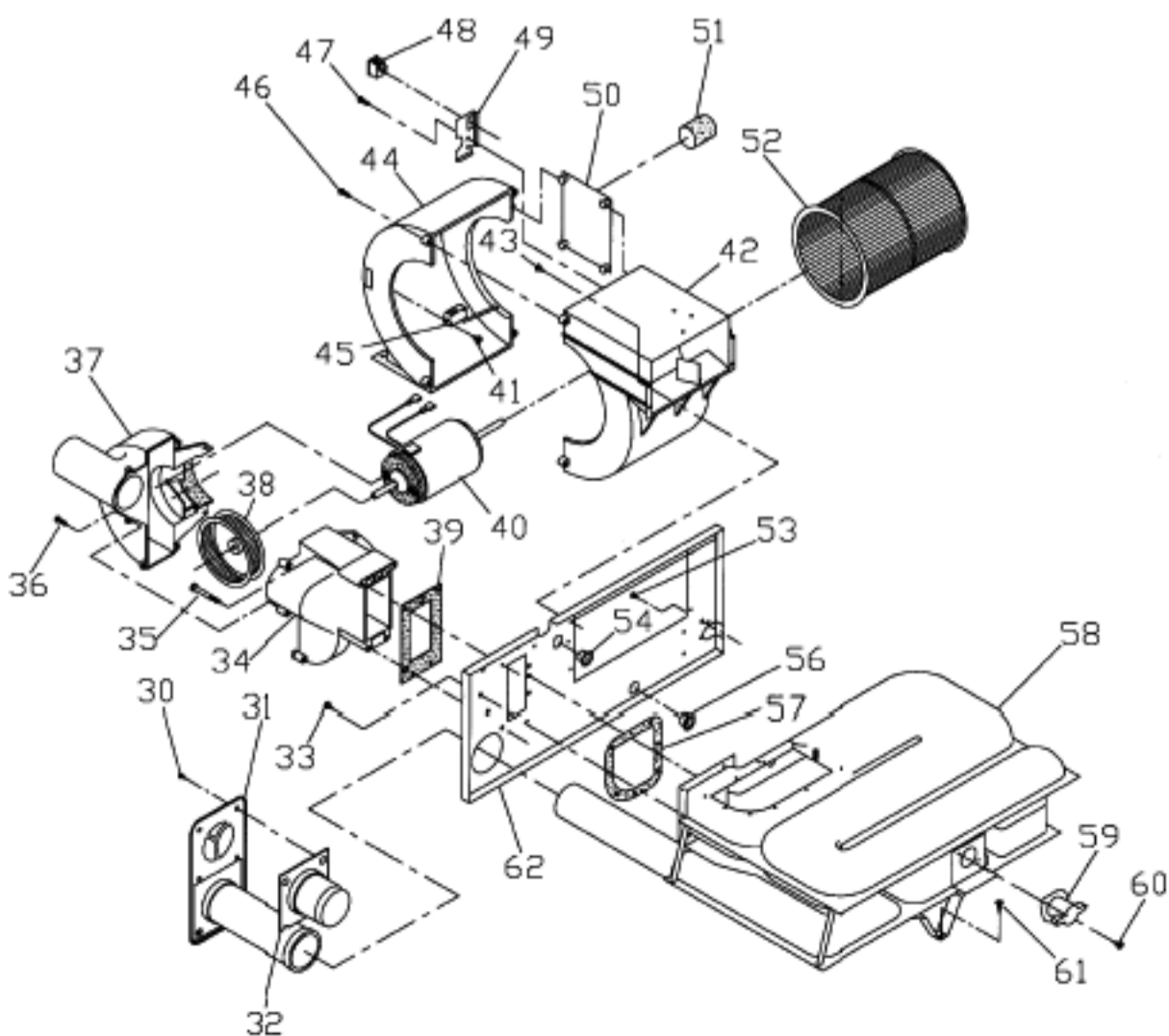
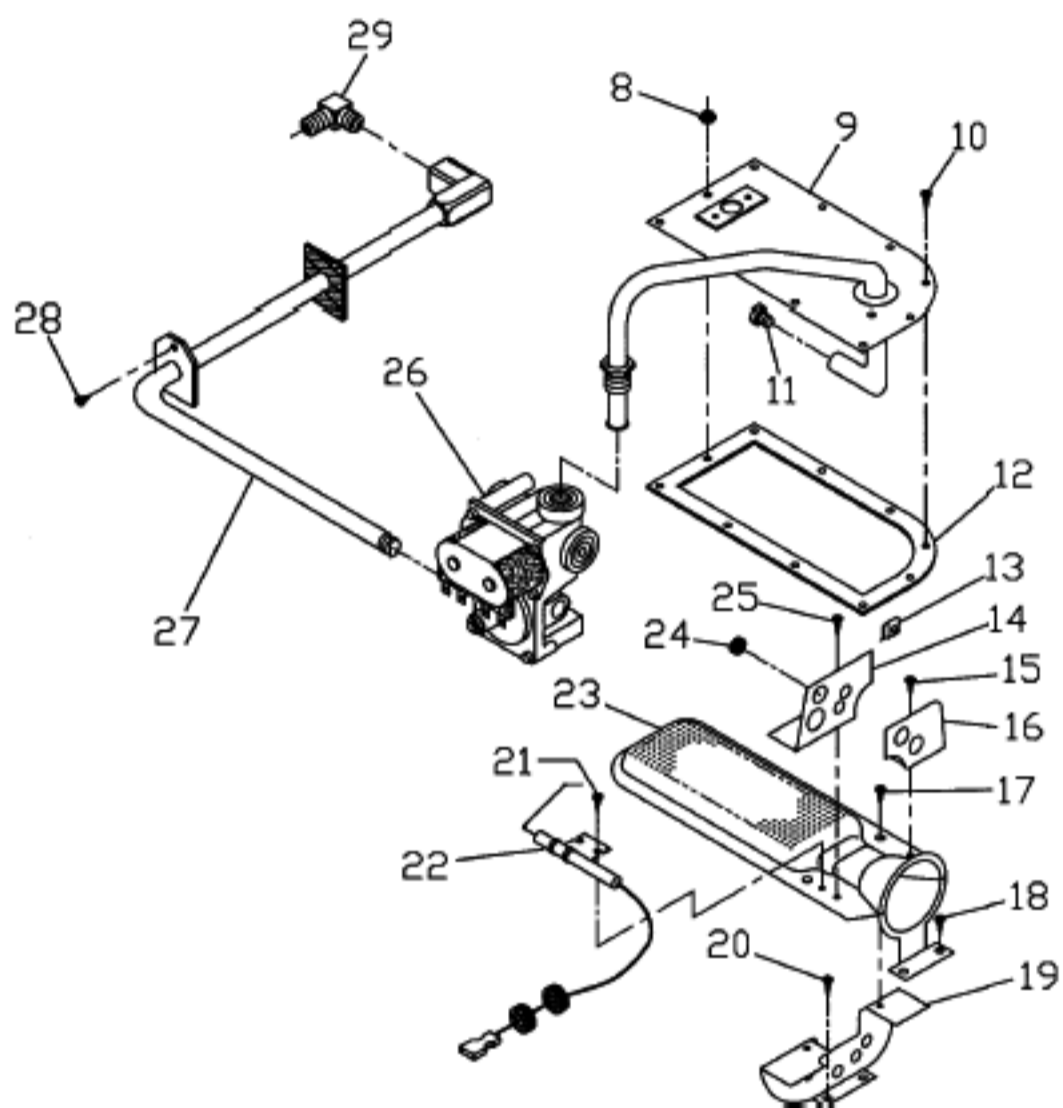
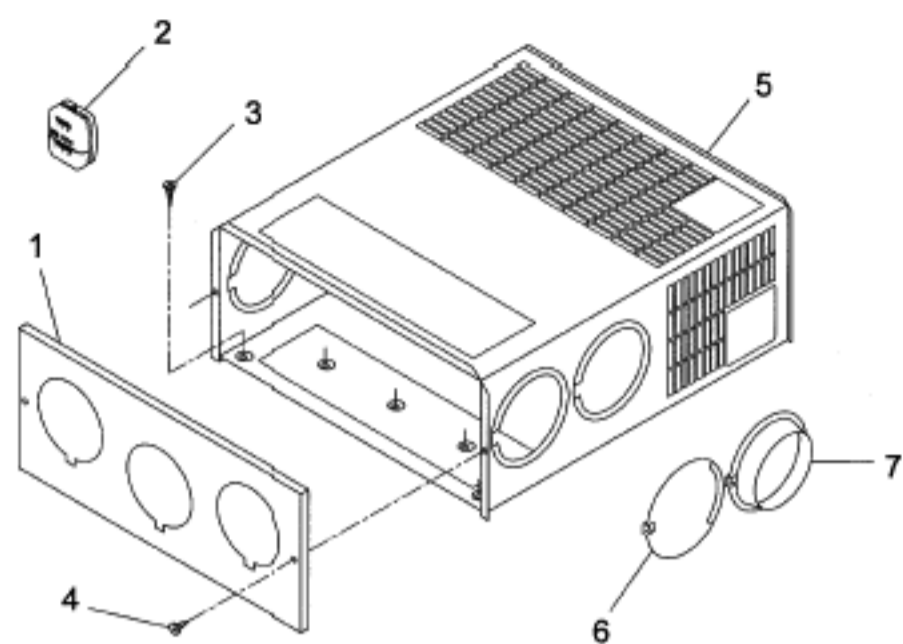




Suburban
Manufacturing Company
a subsidiary of AIRXCEL, Inc.

**MODEL
SF-42F**





Suburban

Manufacturing Company

a subsidiary of AIRXCEL, Inc.

**MODEL
SF-42F**

Item No.	Description	Part Number
1	Cabinet Assembly	101242
2	Thermostat	161154
3	Screw #10 x 3/4 (2 Required)	121853
4	Screw #8 x 3/8 (2 Required)	120158
5	Cabinet Assembly	101894
6	Cover, Duct	050733
7	Collar, Duct	050715
8	Nut 8-32 Keps	121694
9	Manifold Assembly Complete	171596
10	Screw #8-18 x 1/2 (9 Required)	121651
11	Orifice, Main Bumer	180309
12	Gasket, Burner Access Cover	070811
13	Tinnerman	121704
14	Plate, Secondary Air (Top-Back Half)	063198
15	Screw #8-18 x 1/2 Stainless	121651
16	Plate, Secondary Air (Top-Front Half)	062933
17	Screw #8-18 x 1/2 Stainless (2 Required)	121651
18	Screw #8-18 x 1/2 Stainless (2 Required)	121651
19	Plate, Secondary Air (Bottom)	062935
20	Screw #8-18 x 1/2 Stainless(2 Required)	121651
21	Screw #8-18 x 1/2 Stainless	121651
22	Electrode	232286
23	Burner Assembly Complete	010799
24	Grommet.	070963
25	Screw #8-18 x 1/2 Stainless	121651
26	Valve	161122
27	Pipe Assembly Gas inlet	171576
28	Screw #8-18 x 1/2 Self Drilling	121587
29	Gas Fitting 90° Elbow	170374
30	Screw #10 x 3/4 (6 Required)	121853
31	Vent Cap and Exhaust Tube Assembly	260231
32	Tube Assembly Intake (Vent)	051249
33	Screw #8 x 1/2 (8 Required)	120615
34	Combustion Air Housing Assembly (Front Half)	390852
35	Screw #8-18 x 2 1/4 (4 Required)	121929
36	Screw #6-19 x 1/2 (7 Required)	121928

Item No.	Description	Part Number
37	Combustion Air Housing (Rear Half) (SF-20)	390849
	Combustion Air Housing (Rear Half) (SF-25/30/35/42)	390848
38	Wheel, Combustion Air (SF-20)	350189
	Wheel, Combustion Air (SF-25/30/35)	350184
	Wheel, Combustion Air (SF-42)	350183
39	Gasket, Firewall (Combustion Air)	071084
40	Motor Assembly with Gasket (SF-20/25/30)	232682
	Motor Assembly with Gasket (SF-35)	232684
	Motor Assembly with Gasket (SF-42)	232683
41	Screw # 4-20 X 5/8 (2 Required)	121945
42	Blower Assembly (Room Air) Front Half (SF-20, 25, 30, 35)	390872
	Blower Assembly (Room Air) Front Half (SF-42)	390873
43	Screw #8-18 X 1/2 (4 Required)	121857
44	Blower Housing (Room Air) Rear Half	390851
45	Switch, Sail	232261
46	Screw #6-19 X 1/2 (4 Required)	121928
47	Screw #6-19 X 1/2 (1 Required)	121928
48	Switch ON/OFF	232351
49	Bracket, ON/OFF Switch	063446
50	Module Board	520820
51	Insulator Cap, Module Board Coil	070973
52	Blower Wheel Assy (Room Air)	350129
53	Screw #8-18 X 1/2	121857
54	Bushing, Universal	070362
55	Screw #8-18 X 1/2	121857
56	Bushing, Strain Relief	231809
57	Gasket, Firewall (Chamber Side)	070808
58	Chamber Assy. Final (SF-20, 25, 30, 35)	021149BK
	Chamber Assy. Final (SF-42)	021150BK
59	Switch, Limit (SF-20)	232503
	Switch, Limit (SF-25, 30, 35)	232504
	Switch, Limit (SF-42)	232505
60	Screw #8 X 3/8 (2 Required)	120158
61	Screw #8 X 3/8	120158
62	Firewall	110760