



CUSTOMER SERVICES
TELE-NEWS

Air Cooled and Water Cooled Engines • Generators • Controls

FILE: Service and Parts No. 95

DATE: March 14, 1973

SUBJECT: Compatibility of Onan solid state, 3-wire and 4-wire, start-stop controls and Walbro Corporation electric fuel pumps.

SERIES AFFECTED: CCK and NH (particularly motor home units) with solid state start stop control systems.

REASON: Autopulse and Dupree electric fuel pumps (currently manufactured by the Walbro Corp) are not compatible with series CCK and NH solid state control systems. The electrical characteristics of these fuel pumps are such that they cause control and ignition system problems resulting in engine misfiring. Onan engineers are presently working with Walbro in an attempt to make Autopulse and Dupree pumps compatible with our control.

A Tele-News will inform you when this is accomplished.

RECOMMENDED FIX: Obtain a compatible combination by replacing the Autopulse or Dupree pump with Onan No. 149-650.

Litho in U.S.A.

ONAN

1400 73RD AVENUE N.E. • MINNEAPOLIS, MINNESOTA 55432

A DIVISION OF ONAN CORPORATION



**CUSTOMER SERVICES
TELE-NEWS**

Air Cooled and Water Cooled Engines • Generators • Controls

FILE: Service and Parts No. 96

DATE: March 14, 1973

SUBJECT: Piston and pin assembly, No. 112-118, standard and oversize

SERIES AFFECTED: MDJE, MDJF and RDJF

REASON: Our piston supplier has sent us some piston pins (No. 112-117) and piston and pin assemblies No. 112-118 with pins of inferior quality.

IDENTIFICATION: Acceptable pins have smooth machined ends and taper leading into the smooth machined bore.

Unacceptable pins have a rough machined end and taper leading into a rough machined bore.

REPLACEMENT PROCEDURE: Return all unacceptable 112-117 piston pins and 112-118 piston assemblies for replacement.

Litho in U.S.A.

ONAN

1400 73RD AVENUE N.E. • MINNEAPOLIS, MINNESOTA 55432

A DIVISION OF ONAN CORPORATION



CUSTOMER SERVICES
TELE-NEWS

Air Cooled and Water Cooled Engines • Generators • Controls

FILE: Service and Parts No. 97

DATE: March 15, 1973

SUBJECT: Gate Control Rectifiers (SCRs), Onan Part No. 364-14.

SERIES AFFECTED: All liquid-cooled, generating set series (30KW thru 175KW) with UR design alternators.

REASON: High failure rate of Gate Control Rectifiers, purchased from a (one) former supplier, necessitates removal from parts stock.

IDENTIFICATION: Unacceptable rectifiers are identified by the supplier's part No. S-354-6 stamped on the flat area through which two terminals protrude (opposite threaded end).

STOCK DISPOSITION: For replacement, return all Onan 364-14 Gate Control Rectifiers, in stock, marked with the supplier's part No. S-354-6. This includes replacement of unacceptable SCRs in stocked VR22 exciter-regulator chassis assemblies.

Litho in U.S.A.

ONAN

1400 73RD AVENUE N.E. • MINNEAPOLIS, MINNESOTA 55432
A DIVISION OF ONAN CORPORATION



**CUSTOMER SERVICES
TELE-NEWS**

Air Cooled and Water Cooled Engines • Generators • Controls

FILE: Service and Parts No. 98

DATE: March 20, 1973

SUBJECT: Standard Piston Ring Sets, Part No. 113A137

SERIES AFFECTED: MDJE, MDJF, RDJF

REASON: Because of a supplier's strike, we purchased piston rings from an alternate supplier and put the alternate rings into production in September, 1971. Use of these rings stopped in late 1972. Alternate rings allow more blow-by causing increased lube oil consumption, smoking and on occasion, overspeeding due to the burning of lube oil.

IDENTIFICATION: Identify unacceptable rings by the word -TOP- rubber stamped on the ring. Acceptable rings have the word - TOP- etched into the ring.

STOCK DISPOSITION: Check all piston rings sets No. 113A137 in stock. Return all ring sets with the word -TOP- rubber stamped on the ring.

Litho in U.S.A.

ONAN

1400 73RD AVENUE N.E. • MINNEAPOLIS, MINNESOTA 55432
A DIVISION OF ONAN CORPORATION



CUSTOMER SERVICES TELE-NEWS

Air Cooled and Water Cooled Engines • Generators • Controls

FILE: Parts and Service No. 99

DATE: April 16, 1973

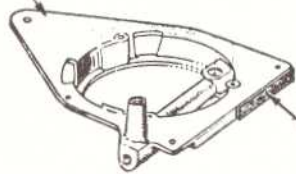
SUBJECT: Modifications and adjustments to improve starting and operating characteristics for (early model) Battery Charger's.

SERIES AFFECTED: Series 0.3TL-212R.

REASONS AND REMEDIES: Some early model Battery Chargers may have starting and operational problems.

1. Some fuel regulators, 148-0712, were extremely difficult to adjust and obtain both acceptable starting and develop maximum running power. On units with unexplained start-run problems, replace the fuel regulator.

Adapter
Casting



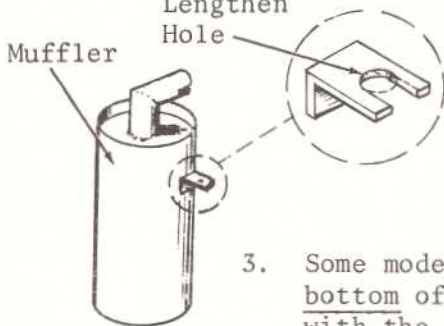
Install
Weatherstrip

2. Metallic Knock(s). The normal starting and stopping torque reaction (turning motion) could cause metal to metal contact.

- a. The right rear corner of the generator adapter casting could strike the enclosure support bracket. To muffle this knock, temporarily pry the adapter casting away from the enclosure support bracket. Towards the right rear corner, install a 6 inch piece of self-adhesive weatherstripping (895-0152) between the metal surfaces. Allow the unit to then return to its normal position.

Muffler

Lengthen
Hole



- b. The muffler can strike the lower air baffle plate when the muffler is not centered in the hole through the plate. To aid in the centering adjustment, change the round hole in the muffler mounting bracket to a lengthwise slot.

3. Some models had foil-faced fiberglass insulation installed in the bottom of the enclosure. Remove this insulation, it could interfere with the blower fan.
4. The polyether foam insulation in the top of the enclosure may pull loose because of insufficient adhesive. If this occurs, pull the insulation down and spray or brush on a coat of good contact or rubber adhesive. Press the insulation back into place.

WARRANTY: Normal warranty applies to units in service if they are within their warranty period. We will allow one hour labor plus parts for new stock units that may require the above suggested changes.

Litho in U.S.A.

ONAN

1400 73RD AVENUE N.E. • MINNEAPOLIS, MINNESOTA 55432

A DIVISION OF ONAN CORPORATION